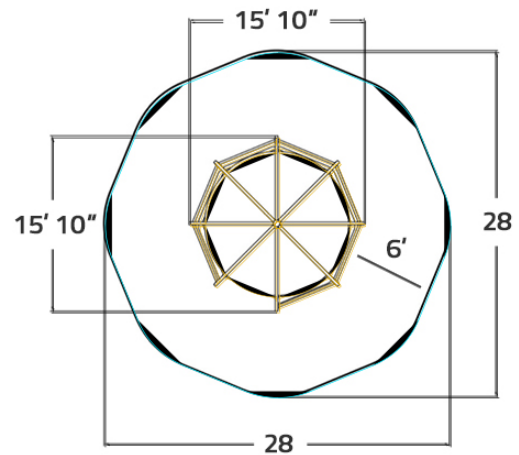
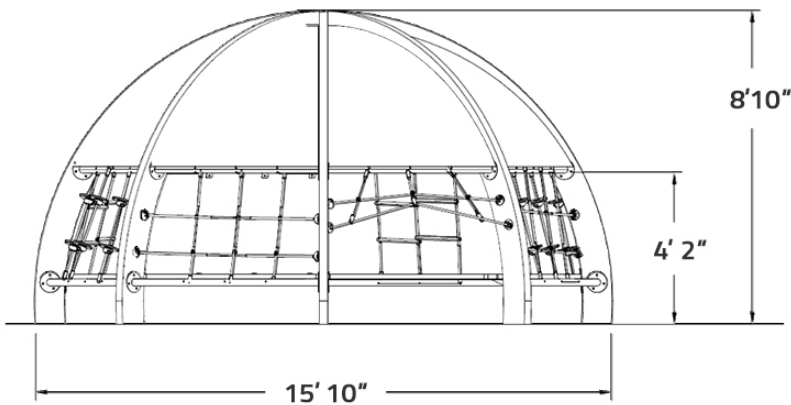


MATERIALS	231005 ITEM CODE
WOODEN BEAMS	CURVED AND GLUE LAMINATED PINE WOOD SURFACES COATED WITH OUTDOOR TREATMENT, BASE COAT AND VARNISH
DOME PANELS	HIGH DENSITY POLYURETHANE (HDPE) HOLES FOR DAYLIGHT TO PENETRATE STARS
TEXT & INFO	CONSTELLATIONS CNC ROUTED INTO HDPE PANELS ASTRONOMICAL NORTHERN HEMISPHERE, IN LATIN
CLIMBING GRIPS	PRESSED SANDSTONE ROCK PROVIDES AUTHENTIC ASTEROID FEEL AND NEVER BECOME SLIPPERY
SEATS & NETS	GLUE LAMINATED TIMBER PINE : 40+ LINEAR FT. OF SEATING POLYESTER COATED STEEL CABLES

ASTM STANDARDS

USE ZONE..... 28' x '28'
 MAX FALL HEIGHT..... 8' 10"
 AGE GROUP..... 5-12
 NUMBER OF USERS..... 49

HDPE Board Thickness..... .5 "
 Product Weight..... 2,160 lbs
 Beam Dimensions..... 2' 8" x 10



IMPACT AREA

THE OCTAGON-SHAPED IMPACT AREA OF PLAY PLANETARIUM REACHES 6' FROM THE EDGE OF THE PRODUCT (OUTSIDE). IMPACT SURFACING IS RECOMMENDED UNDER THE DOME.



PLAY PLANETARIUM

ASTRONOMY • SCIENCE • HISTORY • MATH • LATIN + P.E. ALL IN ONE PLACE!



Learn by playing with Play Planetarium
A unique climbable outdoor learning environment.

- See and learn the night sky, during the day. Constellations spelled in Latin.
- Teaching at the S.T.E.M. level, enriching children's understanding of Astronomy.
- Play Planetarium, where climbing on the roof is finally allowed!



**ACCESSIBLE & INCLUSIVE
PLAY FOR ALL AGES**

**OUTDOOR CLASSROOM
& LEARNING ANNEX**

**MAXIMUM CAPACITY
49 PEOPLE AT ONCE**



CALL OR EMAIL ABOUT AVAILABLE GRANTS AND QUANTITY DISCOUNTS ON QUALIFIED PROJECTS THROUGH 2021.

